



WATER SYSTEMS DIVERTRON

 **DAB PUMPS LTD.**
Unit 4, Stortford Hall Industrial
Park Dunmow Road, Bishops Stortford, Herts
CM23 5GZ - UK
info.uk&eire@dwtgroup.com
Tel.: +44 1279 652 776
Fax: +44 1279 657 727


 **DAB PUMPS B.V.**
Albert Einsteinweg, 4
5151 DL Drunen - Nederland
info.netherlands@dwtgroup.com
Tel.: +31 416 387280
Fax: +31 416 387299

 **DAB PUMPS B.V.**
Brusselstraat 150
B-1702 Groot-Bijgaarden - Belgium
info.belgium@dwtgroup.com
Tel.: +32 2 4668353
Fax: +32 2 4669218

 **DAB PUMPEN DEUTSCHLAND GmbH**
Tackweg 11
D - 47918 Tönisvorst - Germany
info.germany@dwtgroup.com
Tel.: +49 2151 82136-0
Fax: +49 2151 82136-36

 **DAB PUMPS INC.**
3226 Benchmark Drive
Ladson, SC 29456 USA
info.usa@dwtgroup.com
Ph. : 1-843-797-5002
Fax : 1-843-797-3366

 **DAB PUMPS IBERICA S.L.**
Parque Empresarial San Fernando
Edificio Italia Planta 1ª
28830 - San Fernando De Henares - Madrid
Spain
info.spain@dwtgroup.com
Ph.: +34 91 6569545
Fax: +34 91 6569676

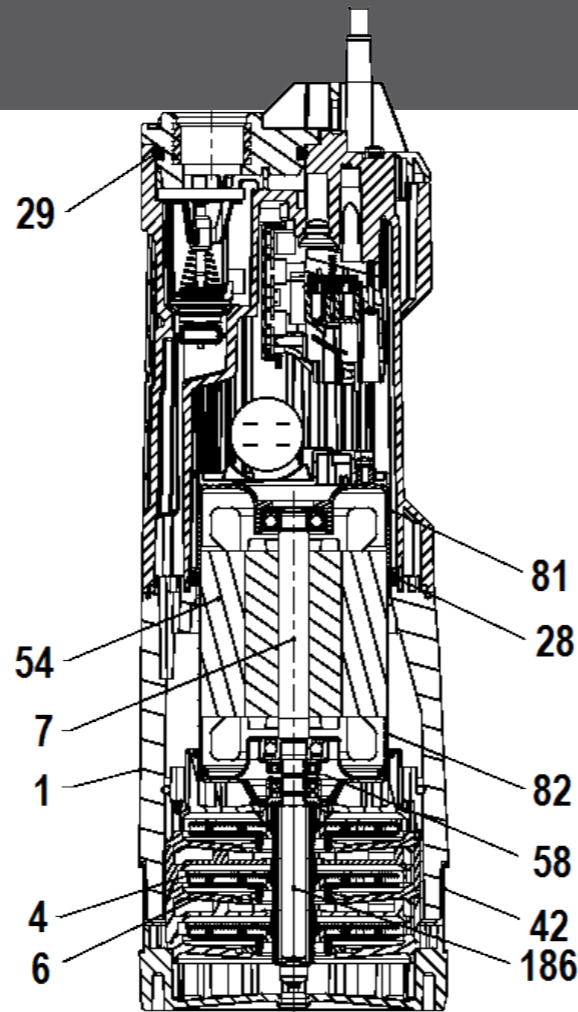
 **DWT GROUP Russia**
100 bldg. 3 Dmitrovskoe highway,
127247 Moscow - Russia
info.russia@dwtgroup.com
Tel.: +7 495 739 52 50
Fax: +7 495 485-3618

 **DAB PUMPS CHINA**
Shandong Sheng Qingdao Shi
Jinji Jishu Kaifaqu Kaituo Rd
ZIP PC266510
CN - China
info.china@dwtgroup.com
Tel.: +8613608963089
Fax: +8653286812210



DIVERTRON

HYDRAULIC DATA



TECHNICAL DATA

CONSTRUCTION

| No. | Description | Material |
|-----|-----------------------|--------------------|
| 1 | Pump Body | PP OMO 30% FVAC |
| 4 | Impeller | PPO/PPE 20% FV |
| 6 | Diffuser | PPO/PPE 20% FV |
| 7 | Rotor Shaft | INOX AISI 416 |
| 28 | O Ring | NBR 70 |
| 29 | O Ring | NBR 70 |
| 42 | Pump Inlet | INOX AISI 316 |
| 54 | Motor Casing | fe PO1 0.65mm |
| 58 | Ceramic Bush | INOX AISI 416 |
| 81 | Upper Bearing Support | Cast Aluminum |
| 82 | Lower Bearing Support | Cast Aluminum |
| 186 | Pump Shaft | Hexagonal AISI 303 |

APPLICATIONS

Electronic Multi-stage Submersible Pumps

Available with 3 or 4 impellers. Suitable to pump clear water. Manufactured with anti-corrosive and rust-proof materials. Motor with thermic overload protection. Wear resistant shaft. Anti-debris stainless steel strainer. CSA and UL approved.

The excellent cooling of the motor that enables the pump to operate even when it is partially submerged. Starts & stops by sensing the flow and pressure in the system. Supplied with power cable with plug, non return valve and 4-step fitting.

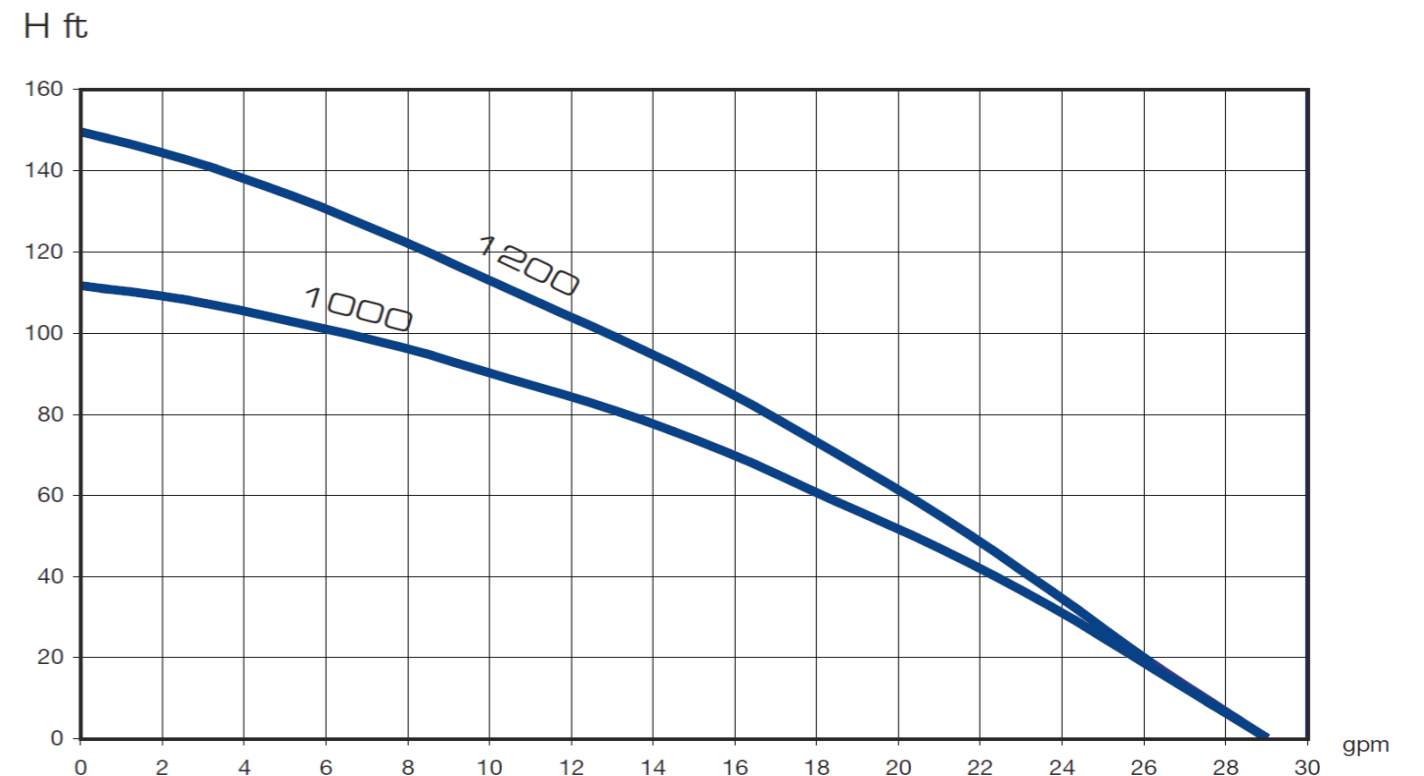
ideal for

- rain water systems
- operating sprinklers
- pumping water from tanks & cisterns,
- pumping water from ponds and wells
- other applications that require high pressure

ELECTRICAL DATA

| Model | HP | Watts | Volts | Frequency | Amps | Max Flow | Max Head | Impellers | Max PSI |
|------------------|-----|-------|-------|-----------|------|----------|----------|-----------|---------|
| DIVERTRON 1000 | 3/4 | 900 | 115 | 60 Hz | 8.4 | 29 gpm | 111 ft | 3 | 52 |
| DIVERTRON 1200 | 1 | 1100 | 115 | 60 Hz | 9.8 | | 149 ft | 4 | 64 |
| DIVERTRON 1200-X | | | | | | | | | |

PERFORMANCE DATA



TECHNICAL DATA

DIMENSIONS

| Model | DIVERTRON 1000 | DIVERTRON 1200 | DIVERTRON 1200X |
|--------------|----------------|----------------|-----------------|
| H | 17.7" | 18.9" | 18.9" |
| A | 5.9" | 5.9" | 5.9" |
| ØB | 1" NPT | 1" NPT | 1" NPT |
| Weight (lbs) | 24 | 25 | 25 |
| Pallet Qty | 40 | 40 | 40 |
| Cable length | 48 ft | 48 ft | 48 ft |

